



**Address:**  
**JAMBU PERSHAD & SONS**  
6275/22 Nicholson Road,  
Ambala Cantt, Haryana,  
INDIA  
Pin: 133001

**Email:**  
sales@japson.com  
japsonambala@yahoo.com

**Website:**  
www.japson.com  
**Phone:**  
+91-171-4006897

---

# Duct Damper for Fume Hood

## Product Image

---

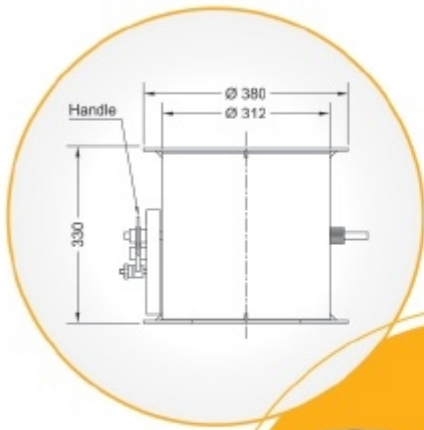


## Description

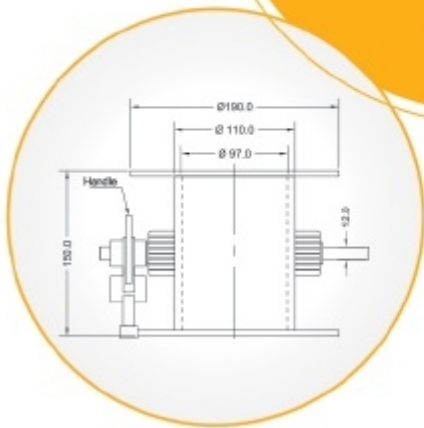
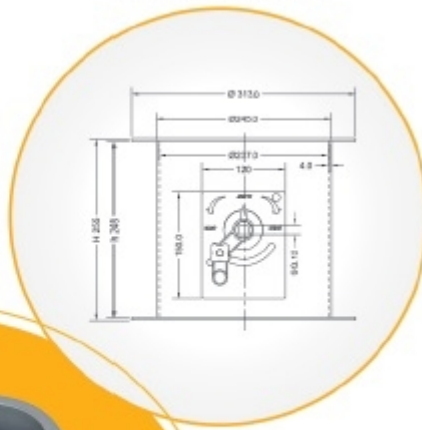
---

- We offers wide range of Duct Dampers which are easy to operate, very low leakage and easy to install.
- They are 100 % injection moulded PP Damper with locking arrangements in single and double side flange in grey colour.
- It can be operated manually or by motorized as per customer's requirements.

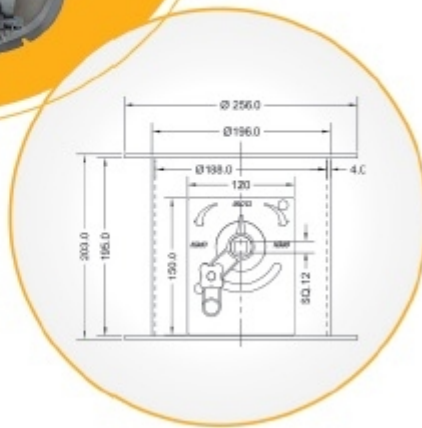
**12" Duct Damper**



**10" Duct Damper**



**4" Duct Damper**



**8" Duct Damper**

Duct Damper, 12 inches

**Catalog No. 101168 (A)**

Duct Damper, 10 inches

**Catalog No. 101168 (B)**

Duct Damper, 8 inches

**Catalog No. 101168 (C)**

Duct Damper, 4 inches

**Catalog No. 101168 (D)**

## Disclaimer

The Products details given on this page are indicative in nature and JAPSON reserves the right to change them without prior notice. Buyer is also requested to re-check the specifications and other features of product at the time of order as product development is a continuous process and minor modifications may be made to design based on latest availability, process and design.